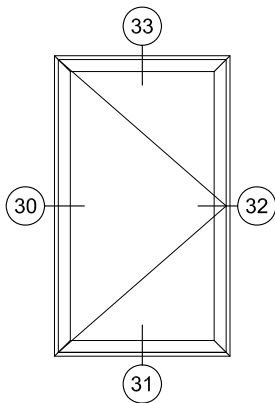
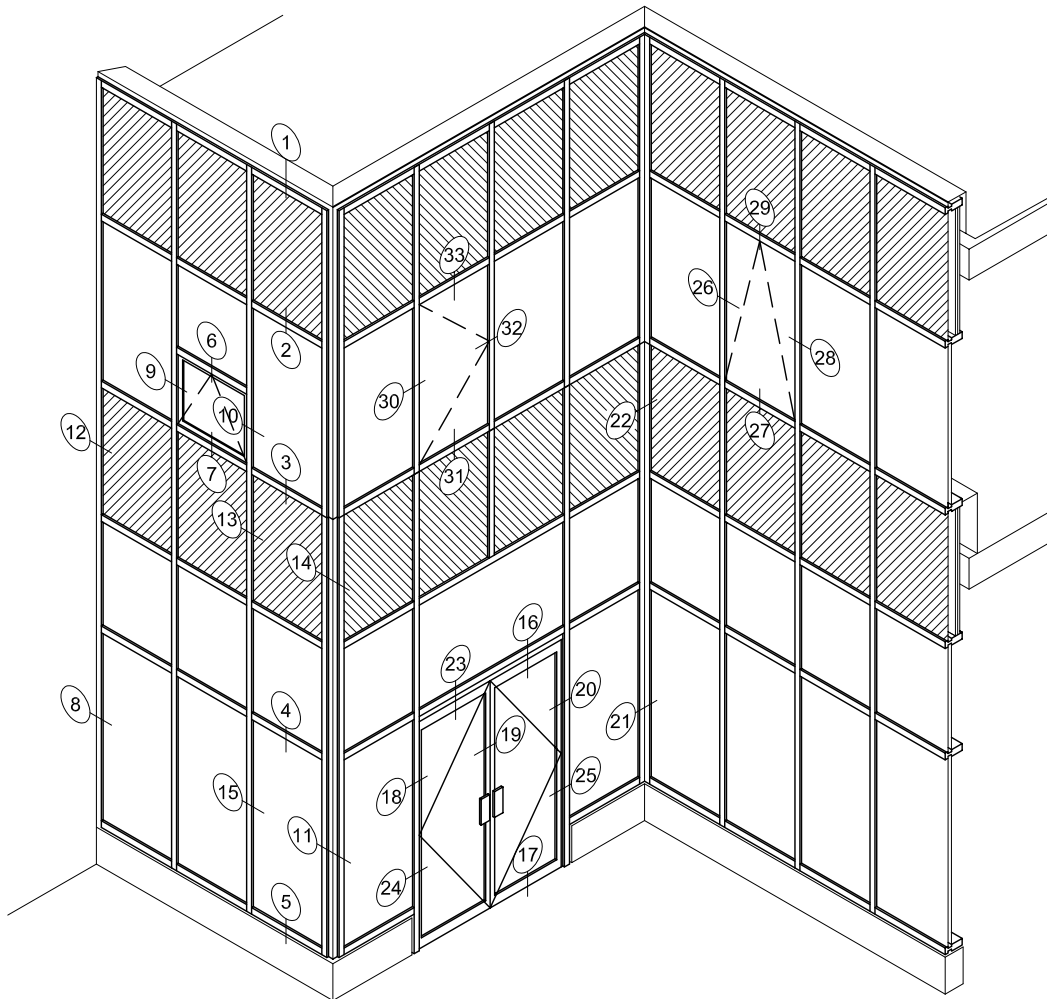
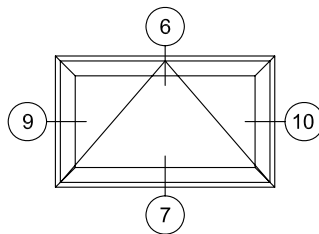


2200 SERIES CURTAIN WALL

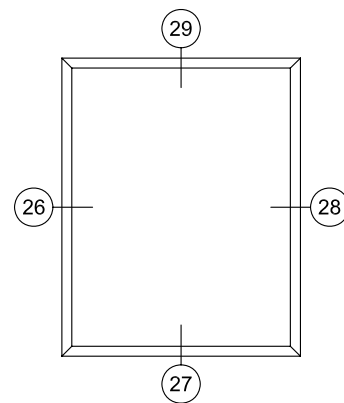
TYPICAL DETAILS



1400 SERIES
ALUMIVENT



1100 SERIES
VENT



5000 SERIES
PHANTOM VENT