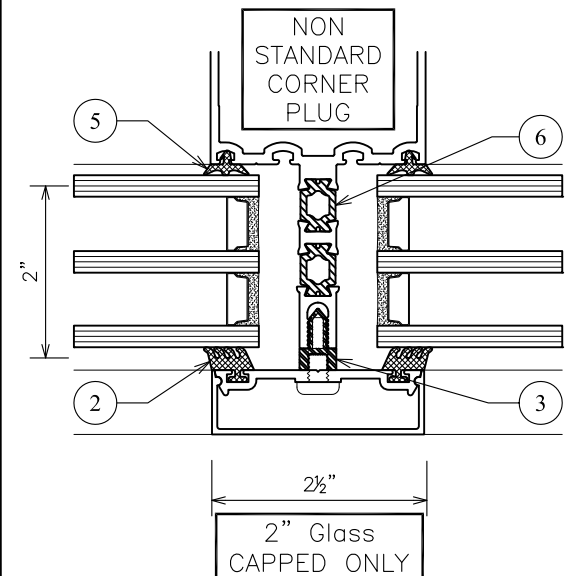
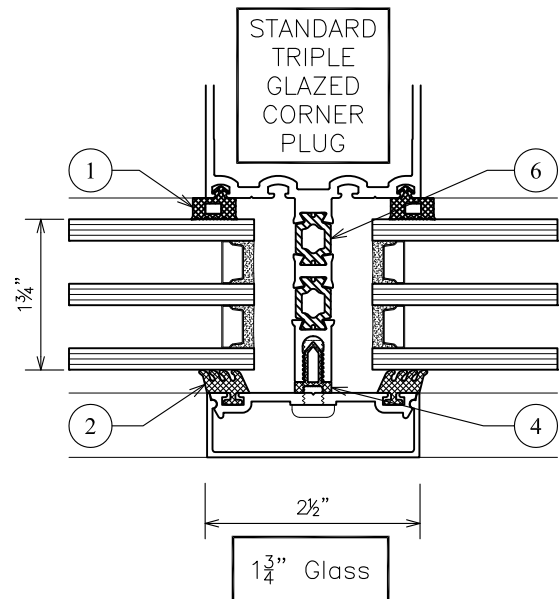
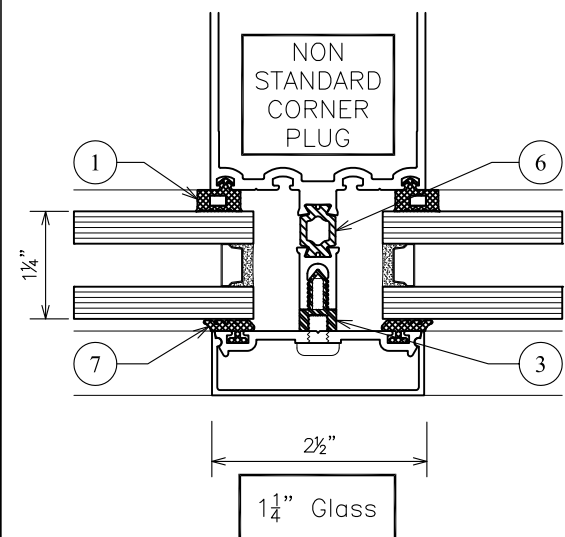
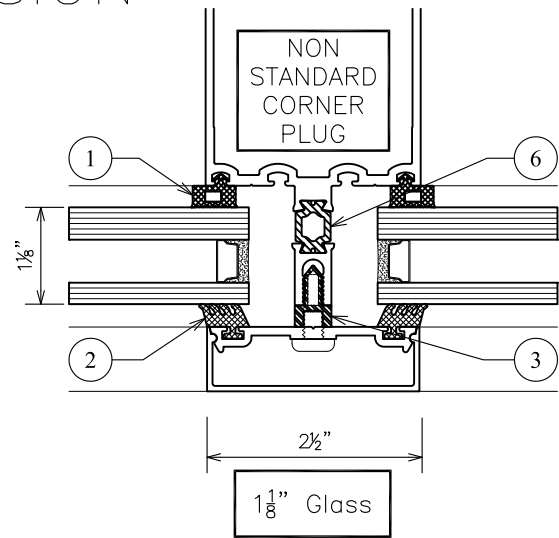
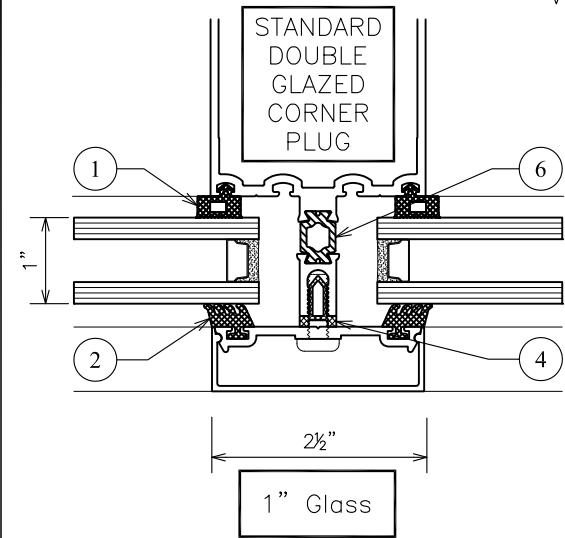
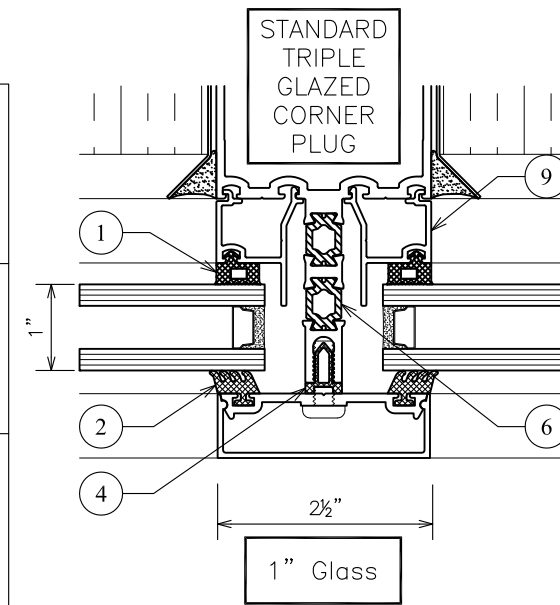
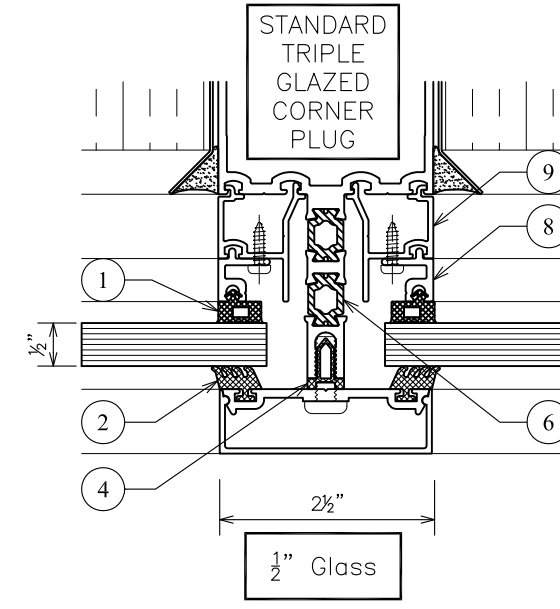
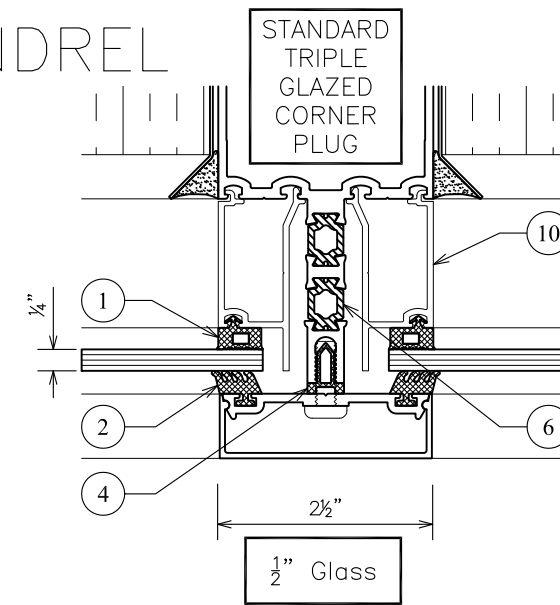
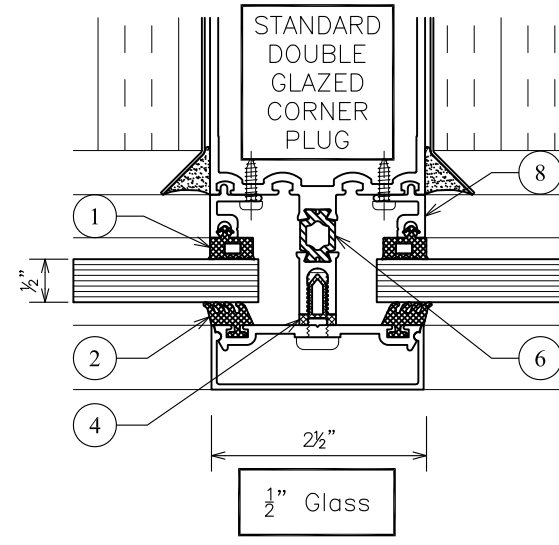
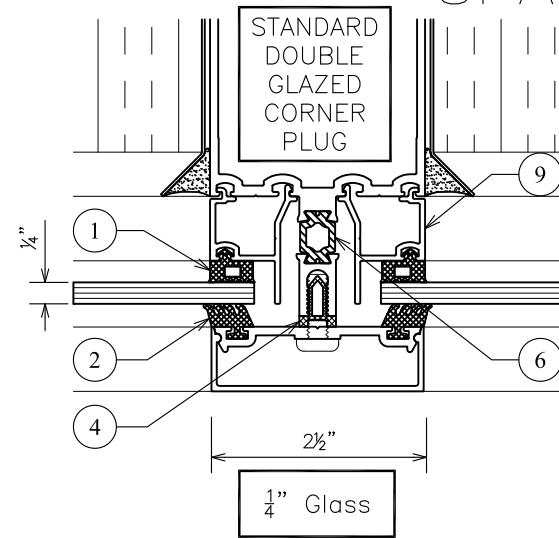


VISION



SPANDREL



REVISED 2013.03.31

1		2653403	3/4" INTERIOR GLAZING GASKET	8		2513200	SINGLE GLAZING ADAPTER FOR 1/2" GLASS
2		2554203	3/4" EXTERIOR GLAZING GASKET	9		2578700	SINGLE GLAZING ADAPTER FOR DOUBLE GLAZED SYSTEM CAPPED
3		2680703	3/4" THERMAL BARRIER	10		2578800	SINGLE GLAZING ADAPTER FOR TRIPLE GLAZED SYSTEM CAPPED
4		2644103	1/8" THERMAL BARRIER				
5		2552003	1/8" INTERIOR GLAZING GASKET				
6		3400003	THERMAL BREAK				
7		2249903	1/8" EXTERIOR GLAZING GASKET				

FINAL APPROVAL OF DESIGN and GUARANTEE OF SIZES
We require your approval to proceed. Please Review, Sign, and Return these drawings indicating your Approval of Final Design and Guarantee of Final Sizes.

Approved By : _____
Date : _____
ALUMICOR WILL NOT FABRICATE YOUR ORDER UNLESS THESE DRAWINGS ARE SIGNED.

ALUMICOR LIMITED ASSUMES NO RESPONSIBILITY AS TO MEASUREMENTS OR DETAIL AFFECTING ANY WORK BUT ITS OWN AND IS NOT RESPONSIBLE FOR ANY ERRORS OCCURRING THROUGH THE USE OF THESE DRAWINGS BY OTHER PARTIES.

NOTE: THESE DRAWINGS ARE THE PROPERTY OF ALUMICOR LIMITED. ALUMICOR LIMITED ASSUMES NO RESPONSIBILITY FOR THE MEASUREMENTS AND OR DETAILS AFFECTING ANY WORK BUT ITS OWN. DETAILS AND PROFILES OF A PROPRIETARY NATURE MAY NOT BE MODIFIED IN ANYWAY WITHOUT THE WRITTEN CONSENT OF ALUMICOR LIMITED. UNLESS STAMPED OR SEALED BY A LICENSED PROFESSIONAL ENGINEER, NO ASSUMPTION OF SPECIFIC STRUCTURAL ANALYSIS OR ADEQUACY IS MADE OR IMPLIED. THE CUSTOMER TAKES SOLE RESPONSIBILITY FOR THE USE OF THE INFORMATION CONTAINED HERE IN.

REV	DATE	REVISION	BY

290 Humberline DR. • Toronto, ON, Canada • M9W 5S2
T. 416-745-4222 F. 416-745-7759 TF. 1-877-258-6426

Dealer : _____

Project : _____

Architect : _____

Contractor : _____

Drawing Title:
Series 2600 Capped System
REVISED Corner Plugs

First Issue: 2014.03.31	Drawn By: J.D.
Scale: Full	Checked By:
TSD Sequence #:	Sales Order #:
CAD File:	Issue #: 0
Sheet #:	Rev #: 0