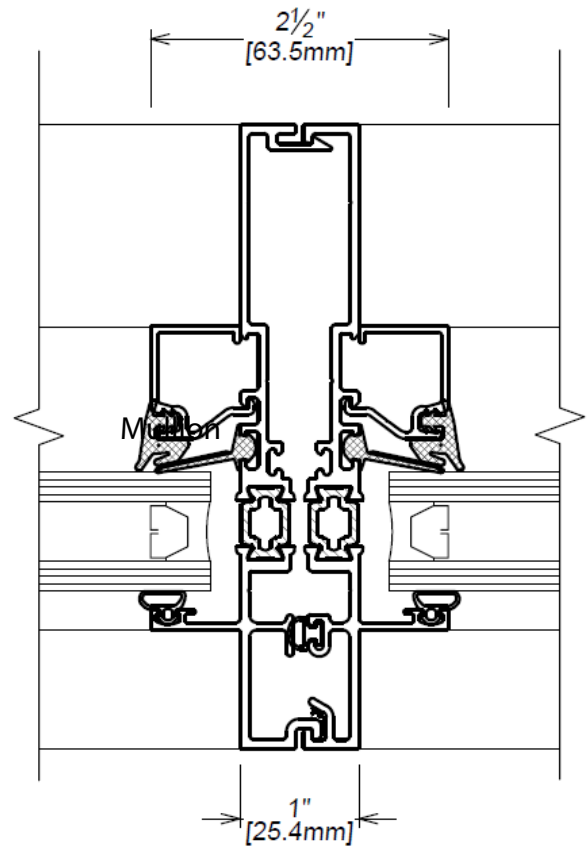


Mullion



Split Mullion

RainBlade 1970

“Bullnose” full rain screen design, interior glazed window



Catalogue Pages



Specifications



CAD details

www.alumicor.com

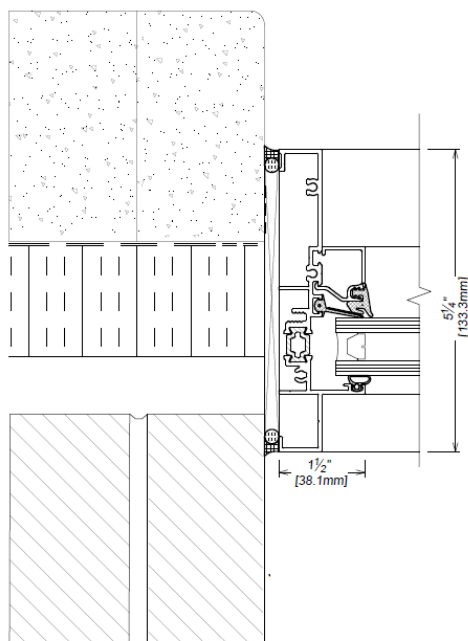


RainBlade 1970

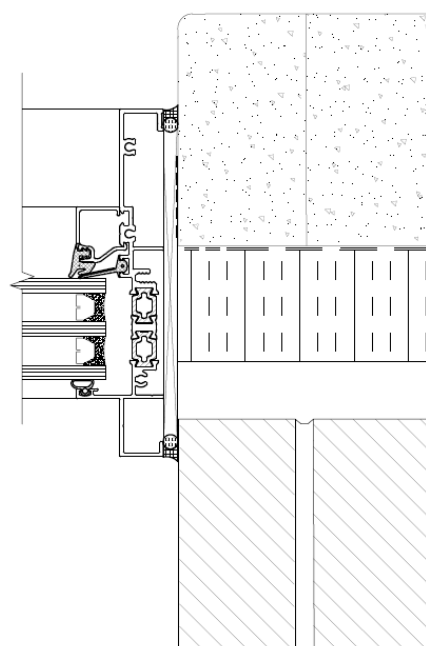
“Bullnose” full rain screen design, interior glazed window

Features & Benefits

- Interior prime seal gasket, eliminates the need for sealant heel beads
- Trouble free notched fabrication
- Bullnose with 1” (25.4mm) set back
- Frame depths of 5.250” (133mm) for double glazed system (1” (25.4mm) glazing infills)
- Frame depths of 6” (160mm) for triple glazed system (1 ¾” (44mm) glazing infills)
- Two colour option (interior/exterior finishes)
- Top-loaded gasket eliminates loose gasket problems caused by undersized IGU’s
- High performance polyamide thermal barrier for extreme thermal performance
- Strap anchor option makes pre-glazed installations easy
- Designed to readily accept Tremco Proglaze ETA (Engineered Transition Assembly)
- Tested to NAFS, CSA & AAMA requirements



Jamb detail - double glazed



Jamb detail - triple glazed

Alumicor Western

800-665-3635

Alumicor Central

877-258-6426

Alumicor Eastern

Facility 1 (St-Laurent, QC)
866-586-4267

Facility 2 (Bedford, NS)
888-346-5151