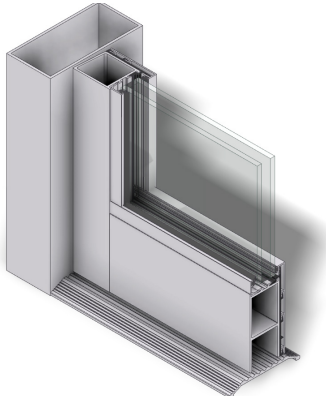


Insuldoor - Thermally Improved Entrance Door

Product Description

Thermally clad 2" (50.8 mm) thick door, available in narrow, medium and wide stiles



Recommended use

Ideal for projects where heating & cooling costs are an important factor

Composition & Materials

- 6063 alloy, T5 or T6 temper aluminum extrusions
- Extruded EPDM gaskets

Finishes

Anodic coated finishes in Class I and Class II, architectural painted and powder coat finishes are available

Limitations

- Size restrictions. See size limitations charts for minimum/maximum sizes
- Not intended for residential applications

Technical Services

Contact any Alumicor regional office by visiting www.alumicor.com



Features & Benefits

- Insuldoor is a thermally enhanced door
- Multiple stile and rail options – narrow, medium and wide - offers design freedom
- Stiles from 2 1/8" (54mm) to 5 3/4" (146.1mm)
- Top rails from 2 1/8" (54mm) to 5 5/8" (142.9mm)
- Bottom rails from 3 7/8" (98.4mm) to 7" (177.8mm)
- Optional centre rails from 2 3/8" (60.3mm) to 12 1/4" (311.2mm)
- Standard glazing infill of 1" (25.4mm)
- Manufactured to the same high standards as the Canadiana series doors
- Two colour, split finish capabilities
- Each corner receives two deep penetration welds for added strength and security
- Designed to accept most universal hardware, as well as specialty hardware

Installation

Alumicor recommends that installation be by authorized Alumicor dealers. Contact your Alumicor representative to confirm the trade contractor is authorized to install Alumicor products. Specifiers may wish to incorporate the requirement of a Product Confirmation as a submittal requirement. Adhere to design, specifications, manufacturers published manuals and recommended industry practice.

Warranty

Alumicor standard warranty applies. Hardware is warranted by the hardware manufacturer. Extended warranties may be available. Alumicor's product warranties can be viewed at www.alumicor.com

Design Considerations

It is important for designers and specifiers to ensure that competent manufacturers' representatives are involved in the early stages of project design

Considerations that must be addressed at early design development:

- Minimum and maximum size limitations

Maintenance

Cleaning should be undertaken as soon as possible after installation to remove construction and environmental dirt and impurities. High PH compounds and cementitious products such as mortar must be immediately removed from all surfaces or irreparable damage to finishes will occur. Cleaning should begin at the top of the building and proceed downward in a continuous operation. Care should be taken to prevent the use of procedures and cleaning materials that could damage the finishes of the aluminum, glass, infill panels or adjacent building components. Clean annually using approved, non-abrasive cleaners and potable water. Cleaning of aluminum components should be performed in accordance with AAMA 609.1 and 620.2

Annually clean all dirt and debris from within the sub-frame of the operable window insert, carefully wipe weather and air seal gaskets with a mild soap and water, rinse with clean potable water; lubricate all operating components with manufacturer's recommended lubricant

Availability & Cost

Availability: Available through authorized Alumicor dealers that are competent in fabrication, assembly and installation of Alumicor products.

Cost: The cost depends upon project design, extent of project, finishes, glazing infills, customer requirements, hardware options and project location. Contact Alumicor regional offices for pricing and/or a list of authorized Alumicor dealers.

Filing System

MasterFormat, UniFormat or OmniClass