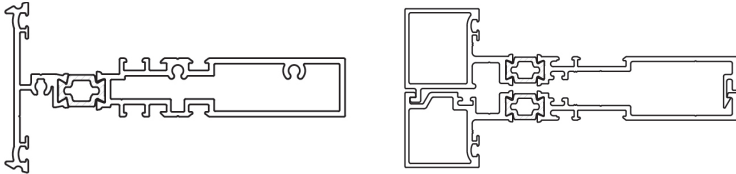


RainBlade 1990 Fixed window

Product Description

Fixed window. Capped full rain screen design, interior glazed window. Available in double and triple glazed



Recommended use

Ideal for punched or ribbon window opening applications

Composition & Materials

- 6063 alloy, T6 or T5 temper aluminum extrusions
- Polyamide Thermal Break
- Extruded EPDM and PVC gaskets
- Compatible with structural silicone sealants
- When necessary, internal reinforcing members are galvanized steel to suit engineering requirements

Finishes

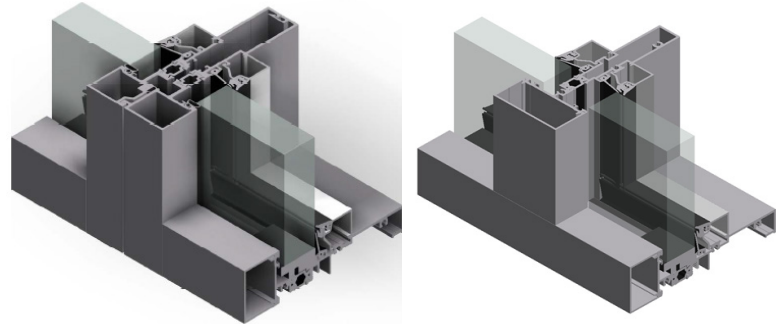
Anodic coated finishes in Class I and Class II and architectural painted finishes are available. Also, two colour (exterior and interior) finishes are possible.

Limitations

- It has limited height restrictions. Please refer to wind load charts
- It is not an entrance framing system. Doors are not to be hung from the framing
- Proper exterior sealing must allow for proper drainage of system
- Should not be used as a window wall

Technical Services

Contact any Alumicor regional office by visiting www.alumicor.com



Features & Benefits

- Ideal for punched or ribbon window opening applications
- Vertical split mullion available in 5 1/4" (133 mm) for double glazed system accepts 1" (25.4mm) glazing infills
- Versatile cap design simulates a curtain wall appearance
- Exterior caps can be designed to replicate or create specific architectural features
- High performance polyamide thermal break permits split interior/exterior finishes
- Interior prime seal gasket eliminates the need for sealant heel beads
- Head/sill receptor options
- Trouble-free notched fabrication
- Accepts 1" (25.4mm) or 1 3/4" (44mm) glazing infills
- Frame depths of 5 1/4" (133 mm) for double glazed system
- Frame depths of 6" (152 mm) for triple glazed system
- Designed to readily accept Tremco Proglaze ETA Engineered Transition Assembly
- Tested to NAFS, CSA & AAMA requirements

Warranty

Alumicor standard product warranty applies. Extended warranties may be available. Alumicor's product warranties can be reviewed at www.alumicor.com

Filing System

MasterFormat, UniFormat or OmniClass

Design Considerations

- It is important for designers and specifiers to ensure that competent manufacturer's representatives are involved in the early stages of the project.
- Some of the considerations that must be addressed at the early design stages are:
 - Design loads
 - Glazing infills (both vision and operables)
 - Building construction components (and their effects upon the window)
 - Seismic requirements
 - integration of the window into adjacent construction
 - Modules and spans

Applicable Standards

NAFS- AAMA/WDMA/CSA 101/I.S.2/A440-08

NAFS-AAMA/WDMA/CSA 101/I.S.2/A440-09 Canadian Supplement

ASTM E283 Standard Test Method for Determining Rate of Air Leakage Through Exterior Windows, Curtain Walls and Doors Under Specified Pressure Differences across the Specimen.

ASTM E331 – Standard Test Method for Water Penetration of Exterior Windows, Skylights, Doors, and Curtain Walls by Uniform Static Air Pressure Difference.

ASTM E330 – Standard Test Method for Structural Performance of Exterior Windows, Doors Skylights and Curtain Walls by Uniform Static Air Pressure Difference.

Maintenance

Cleaning should be undertaken as soon as possible after installation to remove construction and environmental dirt and impurities. Cleaning should begin at the top of the building and proceed downward in a continuous operation. Care should be taken to prevent the use of procedures and cleaning materials that could damage the finishes of the aluminum, glass, infill panels or adjacent building components. The curtain wall system should be cleaned annually using approved, non-abrasive cleaners and potable water. Cleaning of aluminum components should be performed in accordance with AAMA 609.1 and 610.2.

Installation

Alumicor recommends that installation be by authorized Alumicor dealers. Contact your Alumicor representative to confirm the trade contractor is authorized to install Alumicor products. Specifiers may wish to incorporate the requirement of a Product Confirmation as a Submittals requirement. Adhere to design, specifications, manufacturers published manuals and recommended industry practice.

Availability & Cost

Availability: It is available through authorized Alumicor dealers that are competent in fabrication, assembly and/or installation of the system.

Cost: The cost is dependent upon design, extent of project, finishes, glazing infill's, custom requirements, and project location. Contact Alumicor regional offices for pricing and/or a list of authorized Alumicor dealers that are authorized in fabrication, assembly and/or installation of the system.

Physical Properties

Property	Test Method	Result
Air Infiltration 300 Pa (6.27 psf)	ASTM E283	Allowable - 0.2 L/s.m.2 (0.04 cfm/ft2) Results - 0.004 L/s.m.2 (0.002 cfm/ft2)
Air Exfiltration 300 Pa (6.27 psf)	ASTM E283	Allowable - 0.2 L/s.m.2 (0.04 cfm/ft2) Results - 0.006 L/s.m.2 (0.003 cfm/ft2)
Static Water Penetration	ASTM E547	Allowable - No uncontrolled water penetration Results - Passed @ 730 Pa (15.2 psf)
Structural Design Load Deflection	ASTM E330	Allowable - L/175 Passed- +3660 Pa, (+75 psf) - 3660 Pa,(-75 psf) Allowable No damage or permanent deformation exceeding 0.2% Passed+5040 Pa, (+105 psf) - 5040 Pa,(-105 psf)